



**PRODUCTOS MEDICOS,
ORTOPEDICOS Y DE REHABILITACION**



Aparato THR Ajustable

GARANTÍA

Este Producto está garantizado contra defectos de Fabricación por un periodo de 1 año a partir de la fecha de compra. Se aplican restricciones.

PRECAUCIONES: No se garantiza este producto por mal uso y/o intentos de reparación por parte de personas no calificadas.

Para hacer válida su garantía debe presentar: el empaque, el producto, la póliza vigente y comprobante de compra. Si usted adquirió el producto con cualquier otro distribuidor, haga válida su garantía con el mismo.

Health Group Industrias de México S.A. De C.V.
Av. Vallarta No. 6245 Cd. Granja, Zapopan, Jalisco, Mexico CP 45010
Tels: 01 (33) 3777-4000 Ventas: 01 (33) 3777-4001 Fax: 01 (33) 3777-4002
www.ortiz.biz e-mail: contacto@ortiz.biz

Servicio a Clientes: 3777-4000

Aparato THR ajustable

El apoyo suave de la cadera a los lados permite un buen control de movimiento y un soporte adecuado con la colocación en caderas, especialmente de reemplazo o de sublevación común.



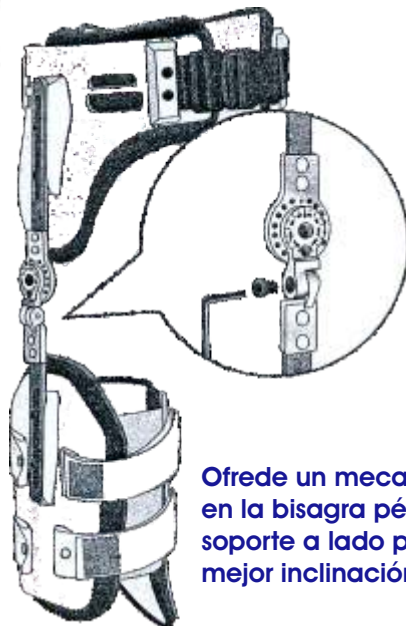
Configuración de lado derecho

Características:

- *Uso universal derecho/izquierdo
- * Mecanismo pélvico que permite una mejor inclinación y control de movimiento.
- *Buen soporte en lados para una cómoda posición en caderas.
- *Soporte adaptable al muslo
- *Viene con una pequeña llave hexagonal universal para un fácil ajuste.



Configuración de lado izquierdo



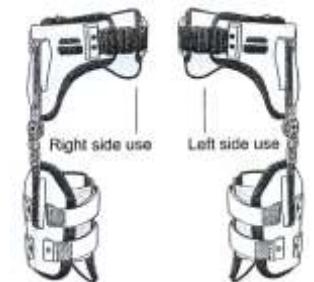
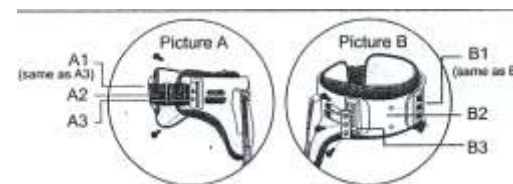
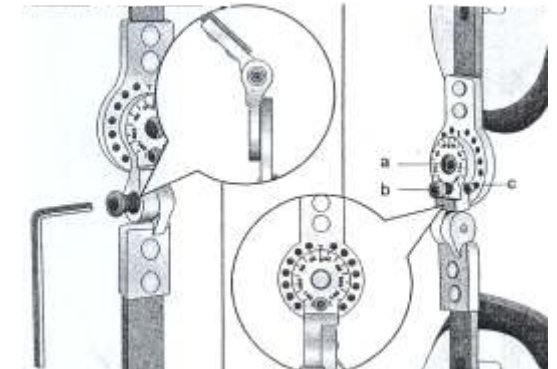
Ofrece un mecanismo en la bisagra pélvica y un soporte a lado para una mejor inclinación

Instrucciones de Operación

Funcionamiento de la correa de la protección de la cadera hola.... se abarca de tres pedazos que se sujeten en el frente con una hebilla ajustable. Los pedazos traseros, correctos e izquierdos cada uno tienen 3 tornillos del maleficio. El cuidado se cerciora de siempre que



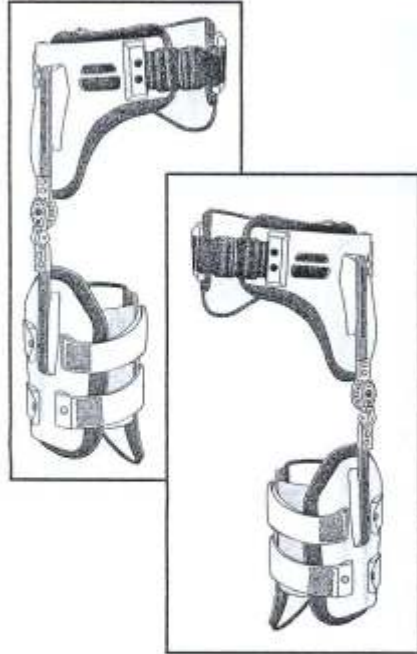
Punço del muslo del funcionamiento El punço del muslo se abarca de dos pedazos. Incluidas son 4 correas que se pueden ajustar para caber las curvas de sus piernas. Cada correa viene con longitud adicional de modo que



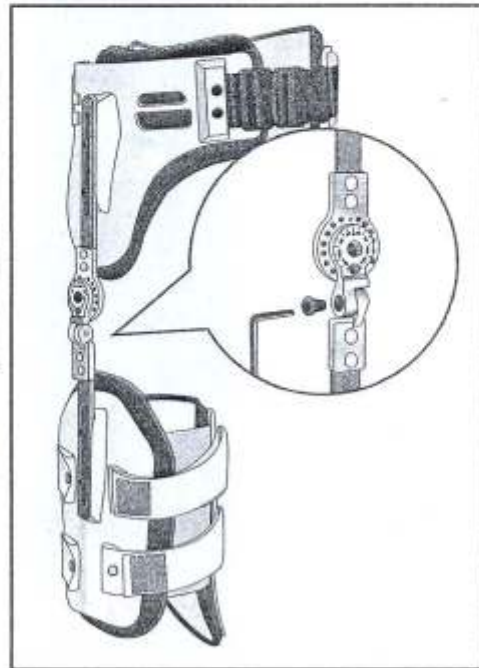
Softguards Hip Brace

The Softguards Hip Brace allows for a controlled range of motion while maintaining proper support and positioning of the hips, especially following joint replacement or subluxation.

Right side configuration



Left side configuration



Features:

- Universal right/left usage
- Pelvic tilt mechanism to allow for safe controlled hip abduction/adduction movements
- Side support hinge to allow for comfortable lateral hip positioning
- Customizable thigh cuff
- Comes with universal hex key for easy adjustment

Features a pelvic tilt mechanism and side support hinge.

Operating Instructions:

A: Operating the hip protection belt:

The hip protection belt is comprised of three pieces which are fastened in the front with an adjustable buckle. The back, right and left pieces are all adjustable as well. Both the left and the right pieces each have 3 hex screws. Please use the enclosed hex key to adjust them. Before using the hip brace, first loosen the screws, adjust the hip protection belt to the appropriate size, then retighten the screws. (WARNING! Always make sure the screws are well tightened before use) (Diagram 1)

Diagram 1



The left and the right pieces each have three hex screws that can be loosened to adjust the hip protection belt.

Diagram 2



The upper and lower side supports each have 2 hex screws that can be loosened to adjust the length of the hip brace.

B: Operating the thigh cuff:

1. The thigh cuff is comprised of two pieces. Enclosed are 4 straps that can be adjusted to fit the curves of your legs. Each and every strap comes with extra length so that you can trim the straps according to your desired length. This feature allows for easy customizing.
- 2. Also enclosed are two translucent, plastic plates. These can also be trimmed according to your true measurements, to add more comfort while wearing the brace.

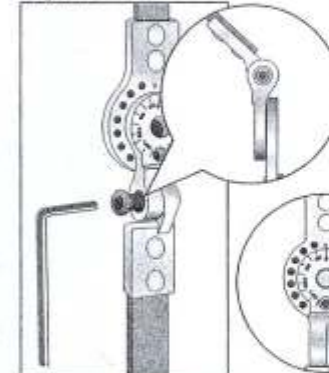
C: Operating the adjustable side supports:

1. Both the upper and lower supports each have two hex screws that allow the user to adjust the brace according to his/her stature to provide each person with the most suitable positioning (Diagram 2).
2. The side support hinge (Diagram 3) can be adjusted toward the inside or the outside of the body according to the user's needs. Before using the hip brace first loosen the hex screw and adjust the side support hinge to the appropriate angle, then retighten the hex screw.

(WARNING! Always make sure the hex screw is tightly screwed before use.)

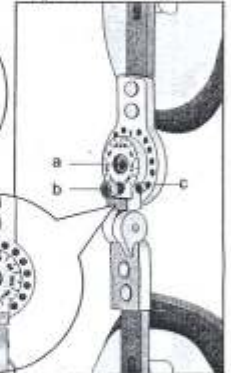
3. The pelvic tilt mechanism (Diagram 4) can be adjusted from 0 degrees to 120 degrees in increments of twenty degrees. When changing the setting first return the reseting hex screw to zero. Use the enclosed hex key to make adjustments. (WARNING! Always make sure the hex screws are tightly screwed before use.)

Diagram 3



Loosen the hex screw to adjust the side support hinge to the appropriate angle then retighten the hex screw.

Diagram 4

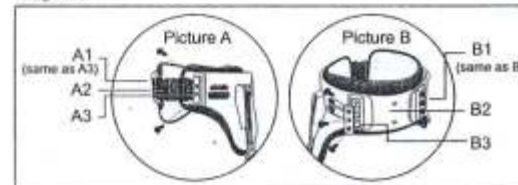


- a. The central pin is fixed and cannot be adjusted.
- b. The reseting hex screw returns the pelvic tilt mechanism to its original position (zero degrees).
- c. Angle adjustment hex screws (the left and right side each has one)

D: Switching Sides:

(Switching the brace from the right side to the left side)
Initial assembly is for right side use only. If you want to switch the brace to the left side, please switch sides according to the instructions below (Diagram 5)

Diagram 5



1. Unscrew the two hex screws on both the left and right side of the belt buckle.
2. Unscrew the three hex screws on both the left and right side of the back piece.
3. Switch the positioning of A1, A2, A3 and B1, B2, B3.



When switching sides, the black buckle should always be in the front.